

Handling System for Hood type Pre-wash Table with Bowl Left to Right, 1200mm

ITEM # _____

MODEL # _____

NAME # _____

SIS # _____

AIA # _____



865309 (BHHPTB12L)

Prewash table with
500x400mm bowl for hood
type, l>r, 1200mm

Short Form Specification

Item No. _____

For hood type dishwashers. Constructed in 304 AISI stainless steel with backsplash mm250h. N. 2 square 40x40mm tubular legs on height-adjustable feet. Bowl size mm500x400x250h with overflow pipe and drain hole. Basket direction: from left to right.

Main Features

- Supplied knocked-down and easy to assemble.
- Designed for 500x500 mm dishwashing racks.
- Plain undershelves and pre-rinse units available as optional accessories.

Construction

- Stainless steel feet 50 mm adjustable in height to ensure that tables drain back into the dishwasher.
- 700x500x300mm bowl available upon request.
- Included splashback to prevent water spatter.
- Deep anti-drip profiles completely folded with lower edge for safe and easy cleaning.
- All surfaces smooth with polished finish.
- 40x40 mm square tubular legs in AISI 304 stainless steel.
- 304 AISI stainless steel construction throughout.
- To be secured to the dishwasher and fitted with one pair of legs at the other end.

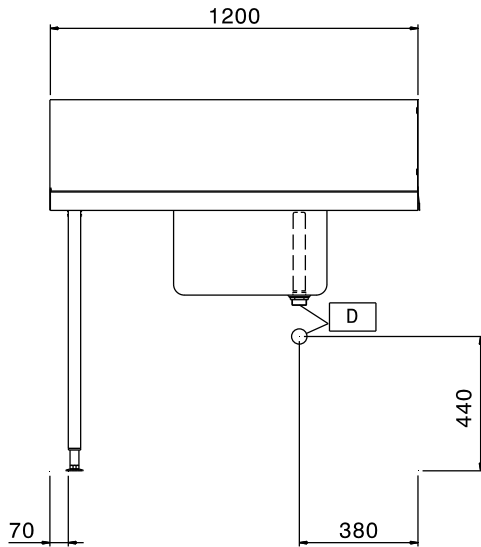
Optional Accessories

- DOUBLE HOLE DECK MOUNTED ELBOW OPERATED MIXING TEMP. FAUCET WITH PRE-RINSE UNIT PNC 855379
- DECK MOUNTED MIXING TEMPERATURE PRE-RINSE UNIT PNC 855380
- Wall mounted mixing temperature pre-rinse unit PNC 855381
- Single hole deck mounted mixing temperature pre-rinse unit PNC 855385
- Single hole deck mounted elbow operated mixing temperature faucet with pre-rinse unit PNC 855386
- Single hole deck mounted riser add-on mixing temperature faucet with pre-rinse unit PNC 855389
- Undershef for dishwasher table, 1200 mm PNC 865352
- Floor fastening kit for 2 square legs PNC 865386
- Single plastic drain syphon 2" for sinks PNC 895313

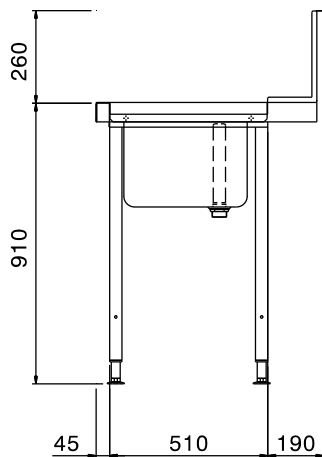
APPROVAL: _____

Handling System for Hood type Pre-wash Table with Bowl Left to Right, 1200mm

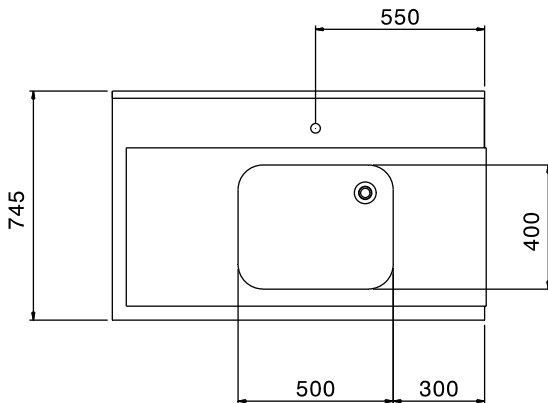
Front



Side



Top



Key Information:

External dimensions, Width:

865309 (BHHPTB12L) 1200 mm

External dimensions, Depth: 745 mm

External dimensions, Height: 1170 mm

Net weight: 8 kg

Splashback Dimensions, Height: 300 mm

Basin dimensions: 500x400x300h

Handling System for Hood type
Pre-wash Table with Bowl Left to Right, 1200mm

The company reserves the right to make modifications to the products
without prior notice. All information correct at time of printing.